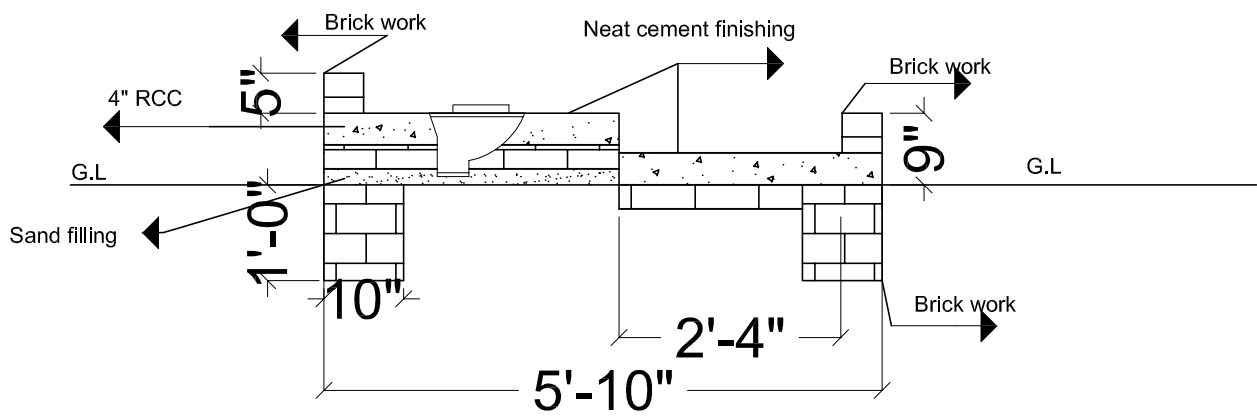
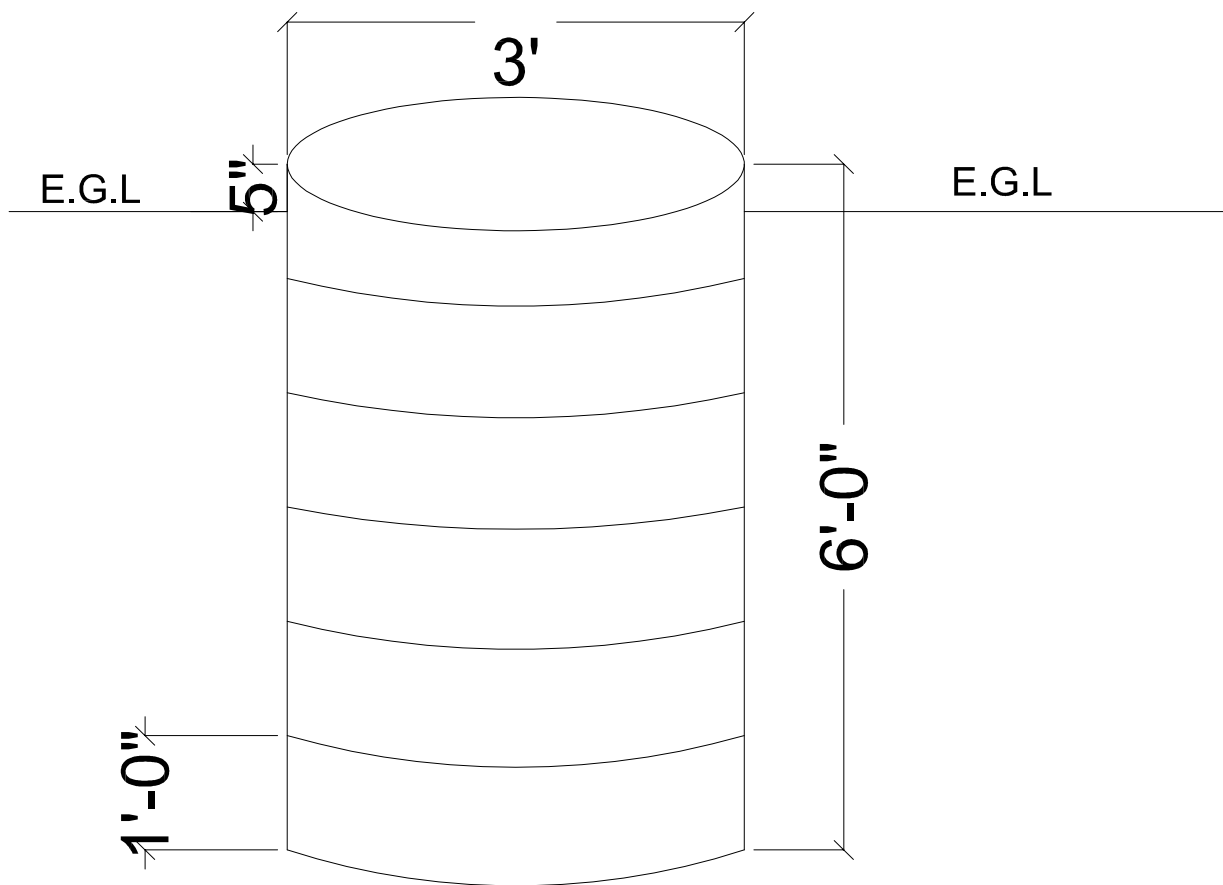


**Plan of Twin Pit Latrine**

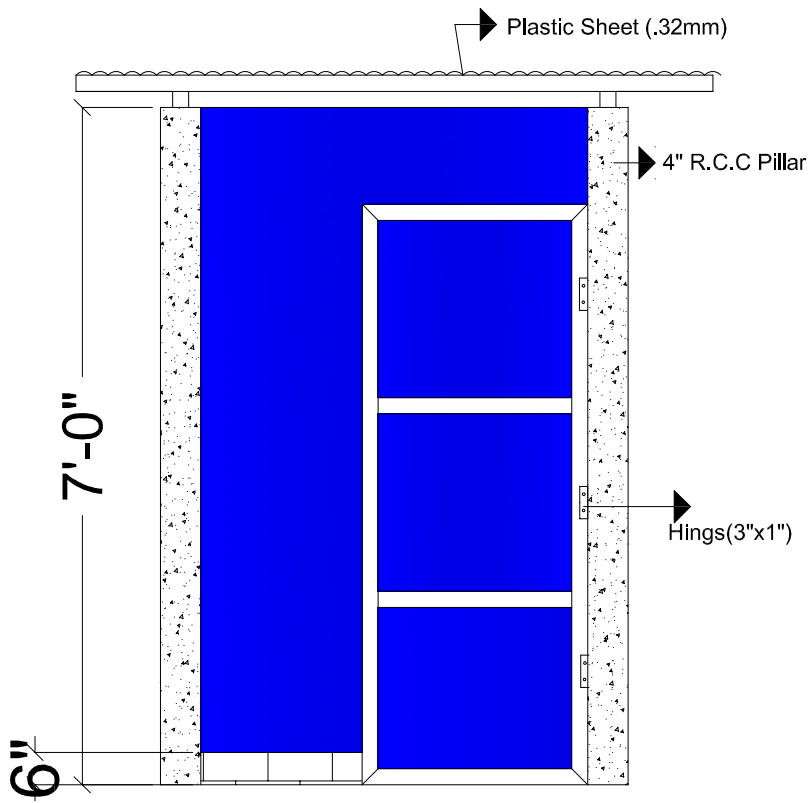
RCC ring (1:1.5:3) 3' outer dia, 1' height, thickness 2.25", supplying, fabrication and fixing 6mm dia ms rod @150mm c/c in both direction (vertical & horizontal) with first class brick and 1.6 FM sand.



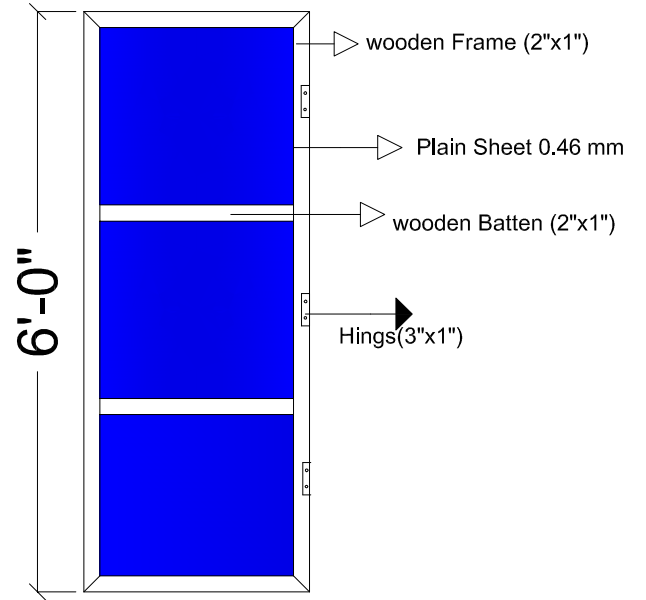
Section of Twin Pit Latrine



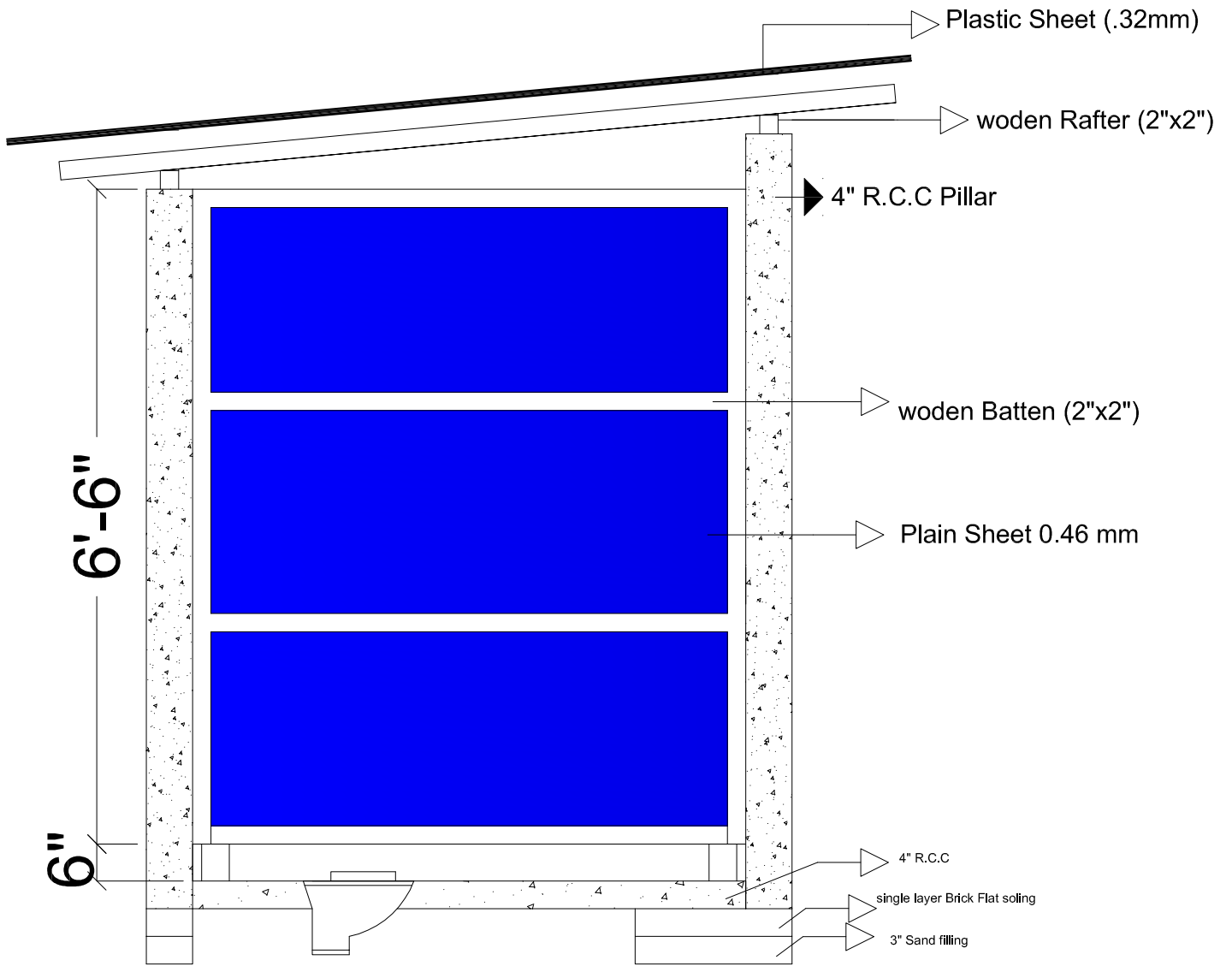
Concrete Ring



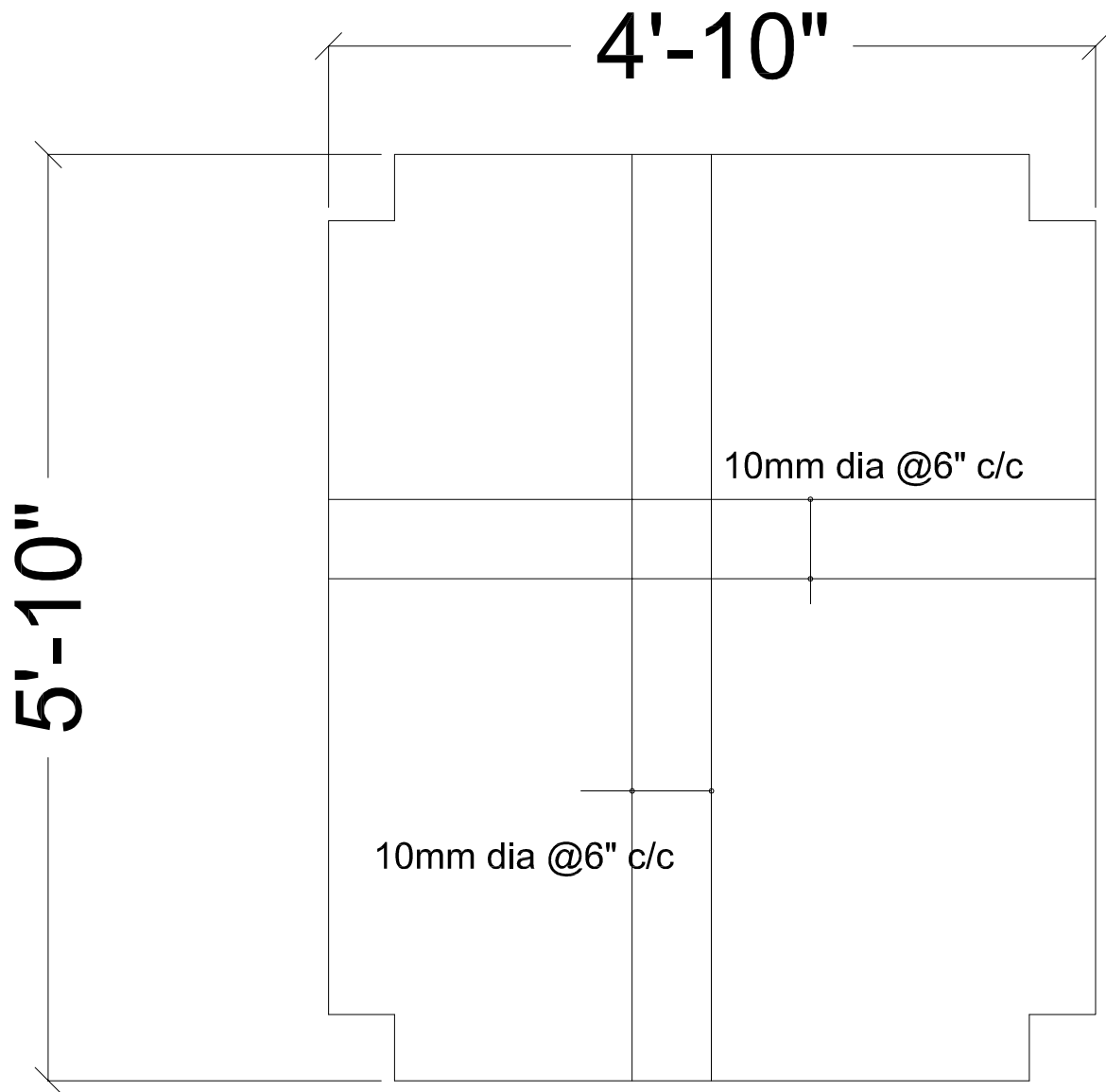
Front Elevation of latrine



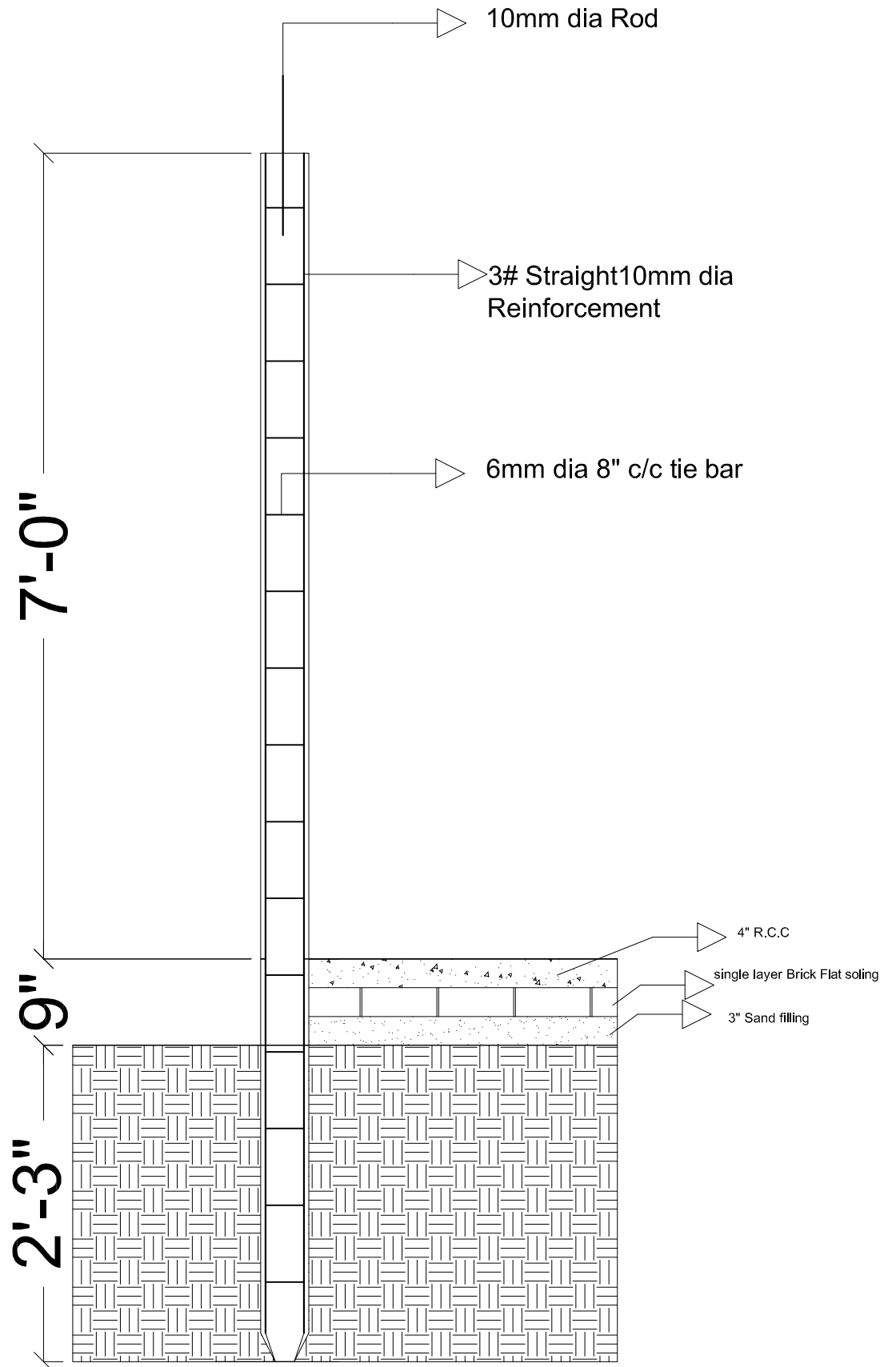
Door Elevation



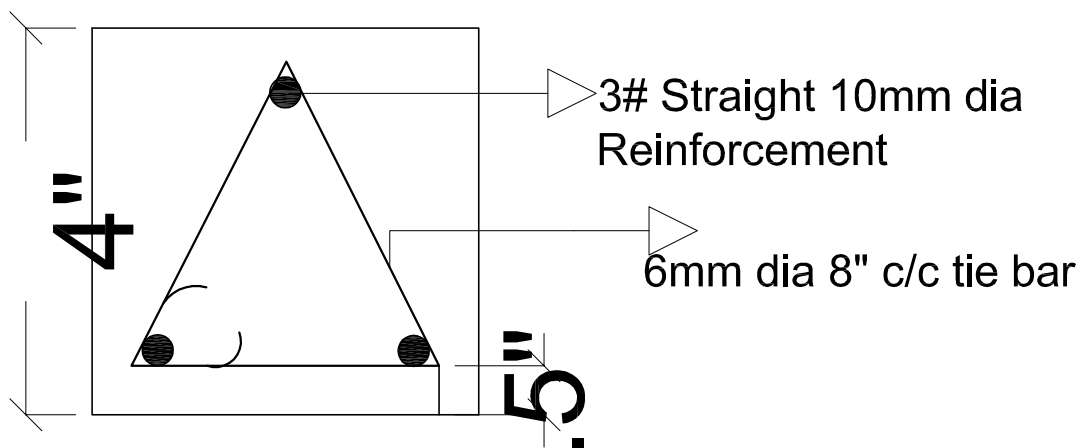
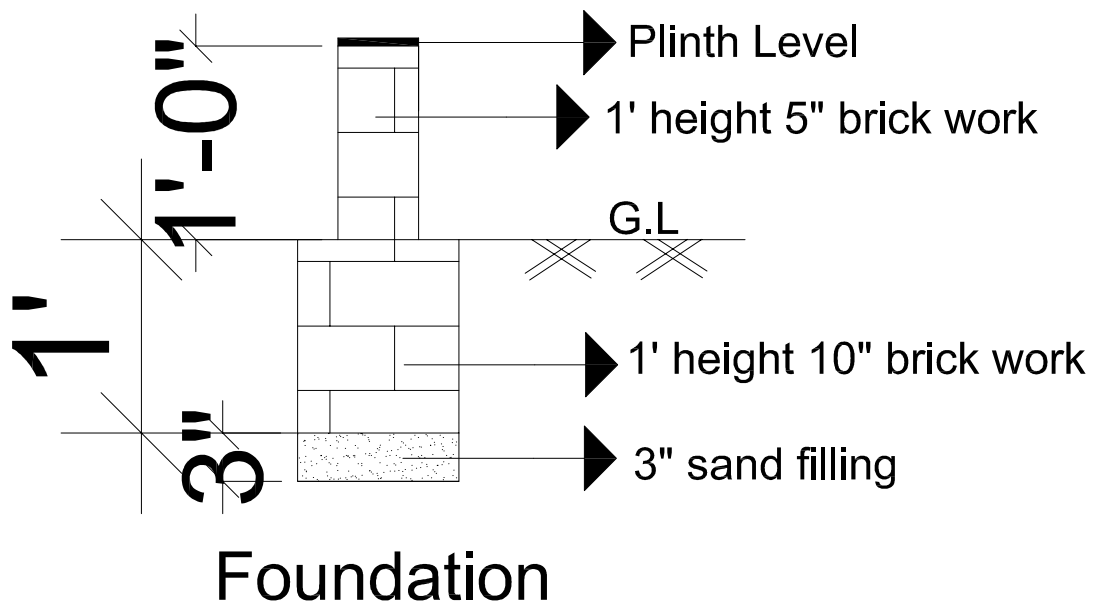
Side Elevation of latrine



Slab Reinforcement



Detail of R.C.C. Post



**Reinforcement Details of R.C.C. Post**